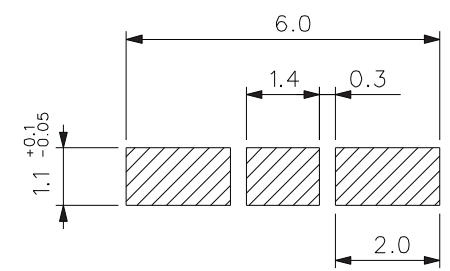
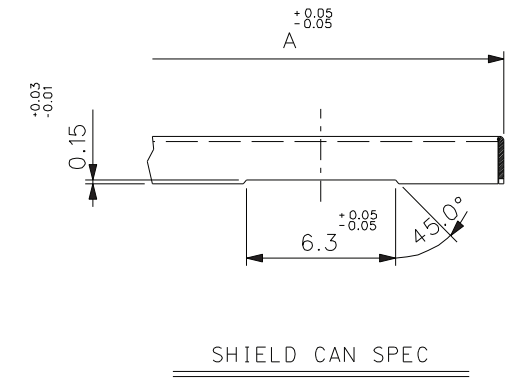
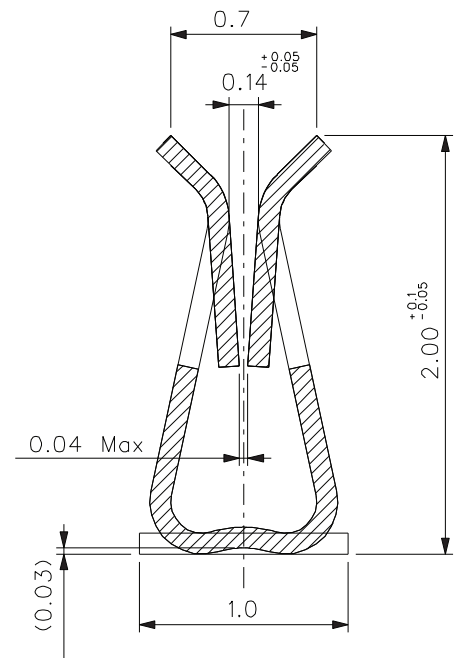
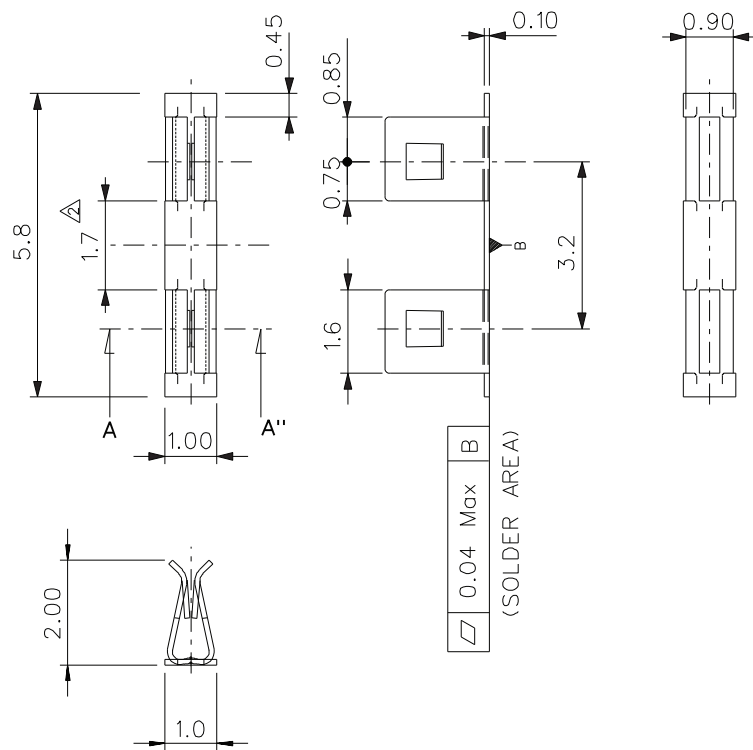


TECHNICAL DRAWING

Drawing Number: 14461

All dimensions in mm

Need to scale



Soldering Land Pattern 0.08T

	10-09-2012	14461
	Date	Number
Approved: Arend Langendam		
Drawing: Murvin Gumbş		
Customer reference:		
Assembly DRG:		

Holland Shielding Systems BV



Holland Shielding Systems BV
 Jacobus lipsweg 124
 3316SP Dordrecht
 the Netherlands

E-mail: info@hollandshielding.com
 Phone: +31 (0)78 - 613 13 66
 Fax: +31 (0)78 - 614 95 85

Material: Tin/Lead
Finish: Tin/Lead

Title: Technical drawing Medium clip
Drawing: Medium clip