

# TECHNICAL DRAWING TC

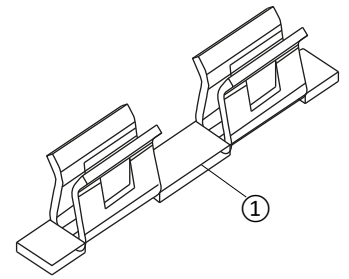


Drawing Number: 14461

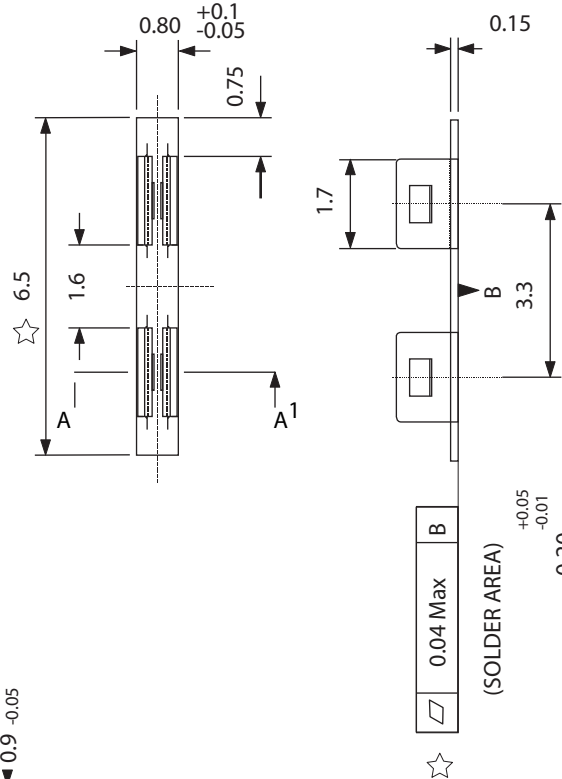
All dimensions in mm

Need to scale

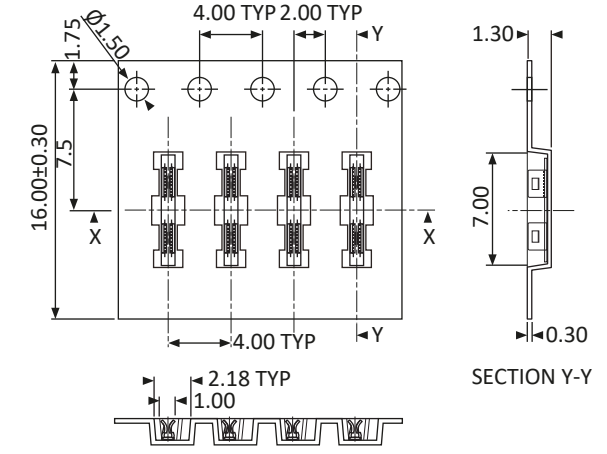
Isometric drawing



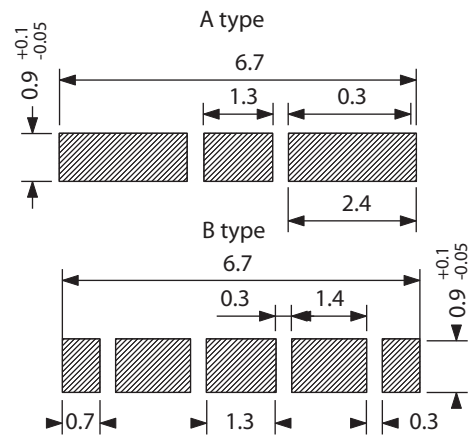
2d drawing



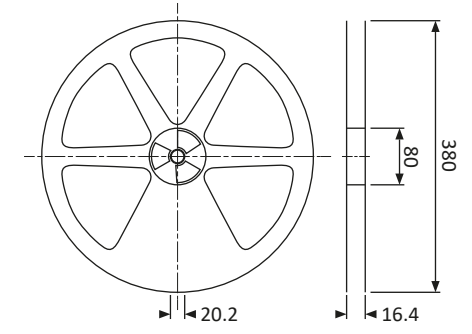
Plastic Carrier specification (Antistatic material)



Recommended solder land size



Plastic reel drawing SECTION X-X



(Quantity per reel : 15.000)

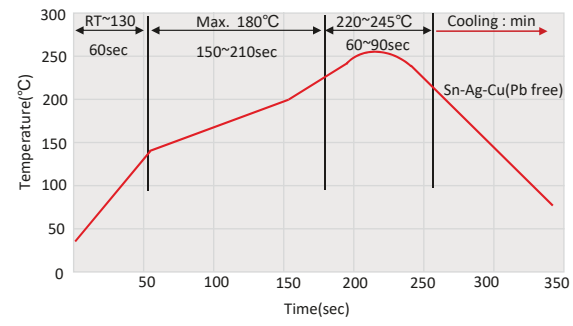
'A' or 'B' type recommend soldering land pattern 0.1T

Characteristics of each material

No.	Material Name	Specification	Material
1	Stainless steel	Thickness : 0.15 ± 0.01	SUS 301-1/2H

- Note
- Material : Stainless steel SUS301-1/2H
  - Finish : Ni / Sn Plating
  - Mechanical characteristics :
    - Insertion force : 0.1~2.0 kgf
    - Withdrawal force : 0.1~2.0 kgf
    - Durability : 10 Insertions Minimum.
    - Contact resistance : 100mΩ Max.
    - Shield thickness : 0.20mm ~ 0.25mm
  - Environmental characteristics :
    - Operating temperature range : -25°C TO +150°C
    - Storage temperature range : -40°C TO +85°C
    - Salt spray test : None corrosion. Meet Eu-RoHS
- This specification will be changed without previous notice)

Reflow soldering condition



**Holland Shielding Systems BV**

Jacobus IJpsweg 124  
3316BP Dordrecht  
the Netherlands

E-mail: info@hollandshielding.com  
Phone: +31 (0)78 - 613 13 66  
Fax: +31 (0)78 - 614 95 85

Title: Drawing Tiny clip  
Drawing: Tiny clip  
Number: 14461  
Date: 05-09-2014  
Drawing by: Christian van Vugt  
Finish: Tin/Lead  
Dimension classification: ★Critical  
  ▼Major  
  () Reverence  
Tolerance: .X ±0.25  
  .XX ±0.10