

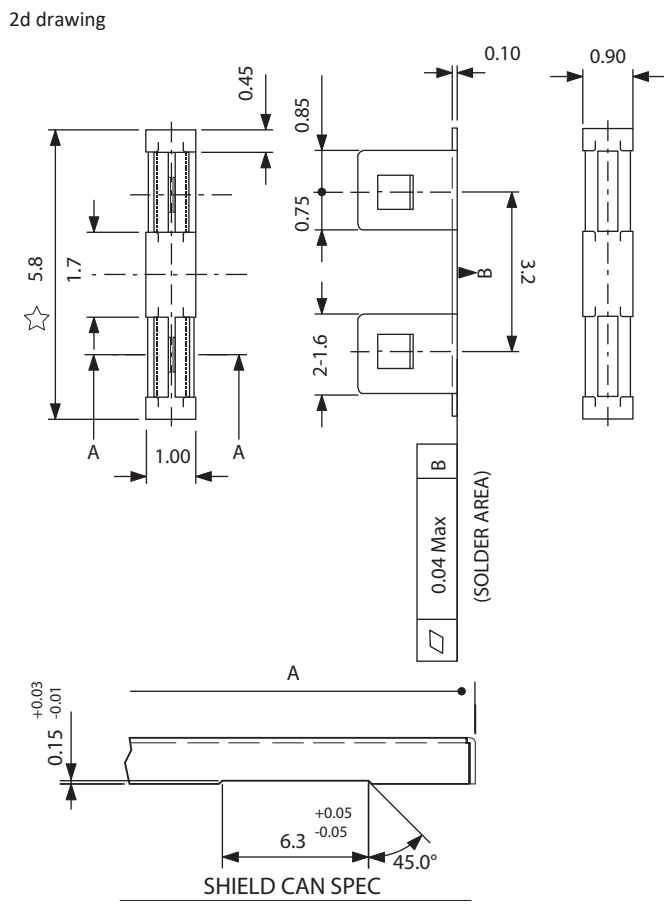
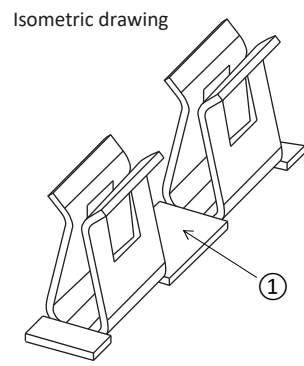
TECHNICAL DRAWING MC



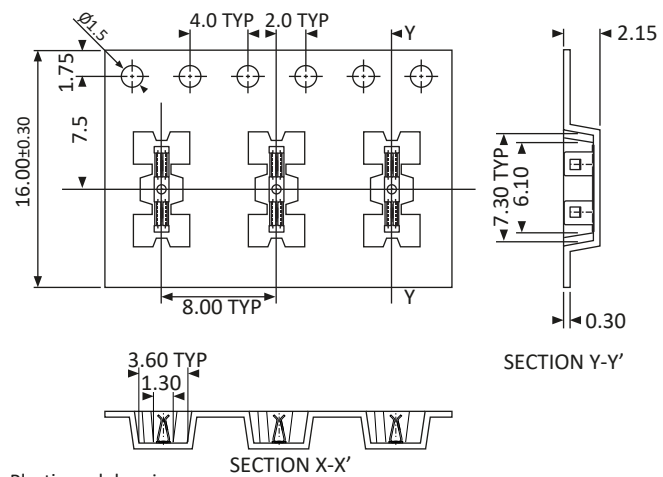
Drawing Number: 14465

All dimensions in mm

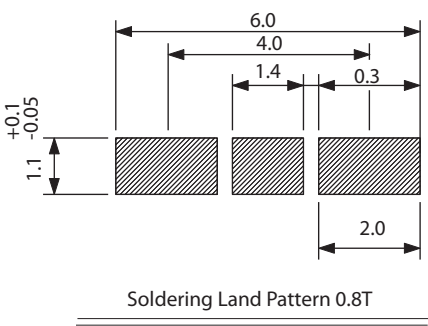
Need to scale



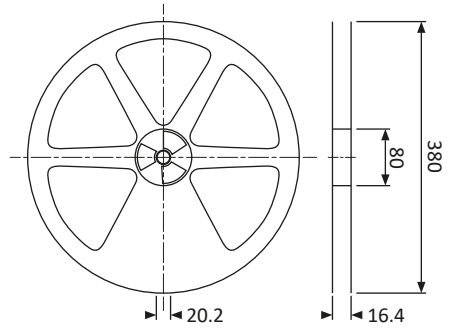
Plastic Carrier specification (Antistatic material)



Recommended solder land size



Plastic reel drawing



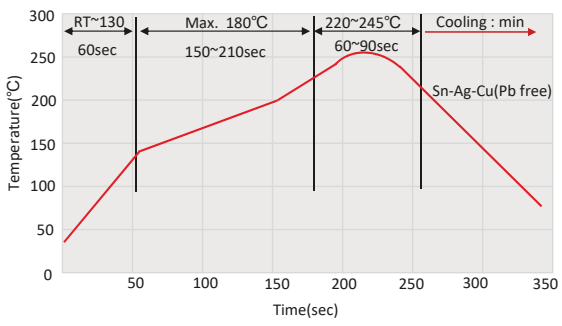
(Quantity per reel :5,000)

Characteristics of each material

No.	Material Name	Specification	Material
1	Stainless steel	Thickness : 0.10 ± 0.01	SUS 301-1/2H

- Note**
1. Material : Stainless steel SUS301-1/2H
 2. Finish : Ni / Sn Plating
 3. Mechanical characteristics :
 - Insertion force : 0.1~2.0 kgf
 - Withdrawal force : 0.1~2.0 kgf
 - Durability : 10 Insertions Minimum.
 - Contact resistance : 100mΩ Max.
 - Shield thickness : 0.20mm ~ 0.30mm
 4. Environmental characteristics :
 - Operating temperature range : -25°C TO +150°C
 - Storage temperature range : -40°C TO +85°C
 - Salt spray test : None corrosion
 5. Meet Eu-RoHS
- This specification will be changed without previous notice)

Reflow soldering condition



Holland Shielding Systems BV

Jacobus IJpsweg 124
3316BP Dordrecht
the Netherlands

E-mail: info@hollandshielding.com
Phone: +31 (0)78 - 613 13 66
Fax: +31 (0)78 - 614 95 85

Title:	Technical drawing Medium clip
Drawing:	Medium clip
Number:	14465
Date:	05-09-2014
Drawing by:	Christian van Vugt
Finish:	Tin/Lead
Dimension classification:	★Critical ▼Major () Relevance
Tolerance	.X ±0.25 .XX ±0.10